



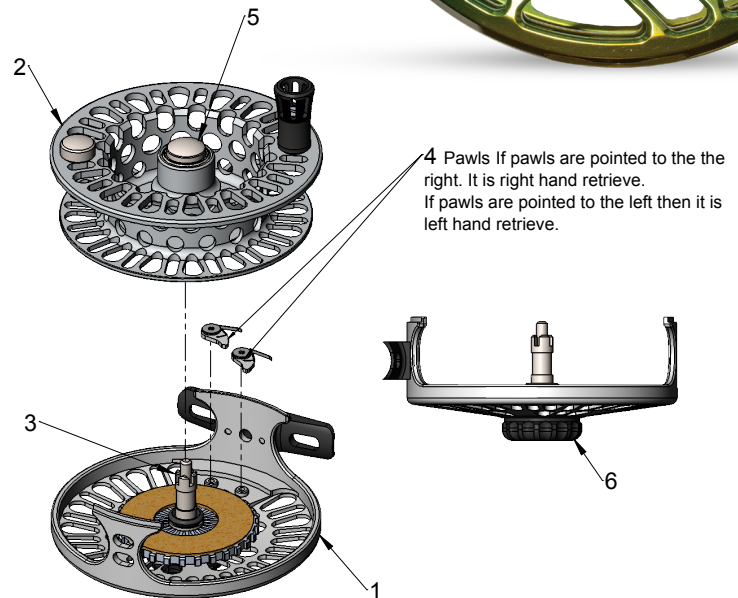
ROVE SERIES

PRODUCT CARE



CHANGING THE DIRECTION OF RETRIEVE

1. Remove the spool (2) from the frame (1) by unscrewing the drag knob (6), turning it counter clockwise until it stops rotating.
2. Next unscrew the Phillips-head screws counter clockwise from the pawls (4), and flip the pawls over to the opposite direction.
3. Place the Phillips-head screws back into the pawls (4), and rotate pawls clockwise into the pawl screw holes on the frame (1). Screw them down tight, but not to the point that the pawls (4) bind in place on the frame (1). The pawls should bounce up and down freely into the drag plate teeth (3).
4. Replace the spool (2), and rotate the drag knob (6) clockwise until it engages the frame.



SPECIFICATIONS

All capacity numbers are in yards. Line capacities are based on 90- foot floating fly lines and 20# backing. All numbers are conservative, as capacities will vary according to specific length and diameters of alternative line manufacturers' products. Capacities will be reduced by approximately 20% if using #30 backing instead of #20 backing.

ROVE 5/7		ROVE 7/9		ROVE 9/11		ROVE 11/12+	
ARBOR SIZE	LARGE	ARBOR SIZE	LARGE	ARBOR SIZE	LARGE	ARBOR SIZE	LARGE
REEL	\$750	REEL	\$850	REEL	\$950	REEL	\$1050
SPOOL ONLY	\$562.50	SPOOL ONLY	\$637.50	SPOOL ONLY	\$712.50	SPOOL ONLY	\$787.50
WEIGHT	8.2 oz.	WEIGHT	8.5 oz.	WEIGHT	10.5 oz.	WEIGHT	10.8 oz.
SPOOL DIAMETER	3.98	SPOOL DIAMETER	4.227	SPOOL DIAMETER	4.697	SPOOL DIAMETER	4.967
ARBOR WIDTH	1.07	ARBOR WIDTH	1.07	ARBOR WIDTH	1.26	ARBOR WIDTH	1.26
LINE + YARDS OF BACKING	WF5 + 280 20# WF6 + 260 20# WF7 + 240 20#	LINE + YARDS OF BACKING	WF7 + 390 20# WF8 + 360 20# WF9 + 330 20#	LINE + YARDS OF BACKING	WF9 + 425 30# WF10 + 350 30# WF11 + 275 30#	LINE + YARDS OF BACKING	WF11 + 490 30# WF12 + 400 30#

CLEANING

While the Rove Series is fully anodized to protect against corrosion and the elements, we recommend that you clean your reel after each use, especially after exposure to a salt or alkali environment. Use fresh water (distilled is preferred) to flush salt and debris from the reel. For better cleaning results, separate the Spool (2) from the Frame (1), soak both in warm, fresh water (again, distilled is preferred) and then rinse in fresh running water. If the outgoing drag on the reel does not feel as smooth as its initial use, or creates a slightly audible squeaking sound then apply a thin layer of neat's-foot oil to the drag surface, and smooth it in with your fingertips. Wipe off excess oil with a clean towel. This process may only need to take place once every several years with heavy use on the water. Let the Spool (2) and the Frame (1) dry completely before putting together and storing. We recommend allowing them to air dry with both the face of the spool (front) and the drag-knob-side of the frame facing up on a towel.